

Compact size 10/100/1000M Industrial PoE Media Converter



Features:

- 1*10/100/1000Base-T RJ45 PoE port, 1*100/1000Base-X SFP(/SC/ST/FC optional) fiber port
- DC 44~57V input, redundant power supply with polarity reverse/over-voltage protection
- Complies with IEEE802.3af PoE and IEEE802.3at PoE+ standard
- Powerful Dip switch function:
 - 1. LFP; 2. Fiber port 100/1000M selection;
 - 3. 250m long distance; 4. PoE watchdog
- Support 10K Bytes Jumbo frame and 1M large buffer
- Support 4KV surge protection and ESD: Air-15kV, Contact-8kV Protection
- IP40 fan-less and Din-rail hardware design with compact size(30*85*85mm)
- Operation temperature: -40 °C ~+75°C

Overview

The series are unmanaged compact size industrial grade PoE media converter with 1-port 10/100/1000-T PoE and 1-port 100/1000Base-X fiber optical interfaces. They comply with IEEE802.3af, IEEE802.3at standard PoE protocol, the Max power consumption can reach 30W (PoE+). Moreover, they are featuring with LFP, fiber port 100/1000M selection, 250m long distance transmission and PoE watchdog function, which all can be configured by the Dip switch on the top panel.

The series are also high cost-effective easy-to-use devices, which provide essential industrial Ethernet networking function, such as wide range power input 44-57VDC, redundant power design with polarity reverse/over-voltage protection, robust IP40 fan-less compact size housing with Din-rail installation, wide operation temperature from -40°C to 75°C as well as high-level EMI/EMC capability and so on. They are the best choice for heavy industrial factory, transportation, oil & gas, chemical, IP Surveillance and processing automation area where environmental conditions exceed commercial product specifications

Technical specification

Interface	Fiber port	Copper RJ45 port
	1	1
Ethernet	1*10/100/1000Base-T PoE 1*100/1000Base-X SFP (SC/ST/FC optional)	
Standard	IEEE 802.3 10Base-T Ethernet IEEE 802.3u Fast Ethernet IEEE 802.3ab Gigabit Ethernet IEEE 802.3x Full-Duplex Flow Control IEEE 802.3af Power-Over-Ethernet IEEE 802.3at Power Over Ethernet plus PSE	
Dip Switch	<ol style="list-style-type: none"> LFP Fiber port 100/1000M selection 250m long distance mode PoE watchdog 	
LED Indicators	P(Power indicator) Green	Off: the device is power off or failed On: the device power on is normal
	S(PoE usage indicator) Red	Off: total PoE usage < rated 50% Blinking: rated 50% < total PoE usage < rated 90%



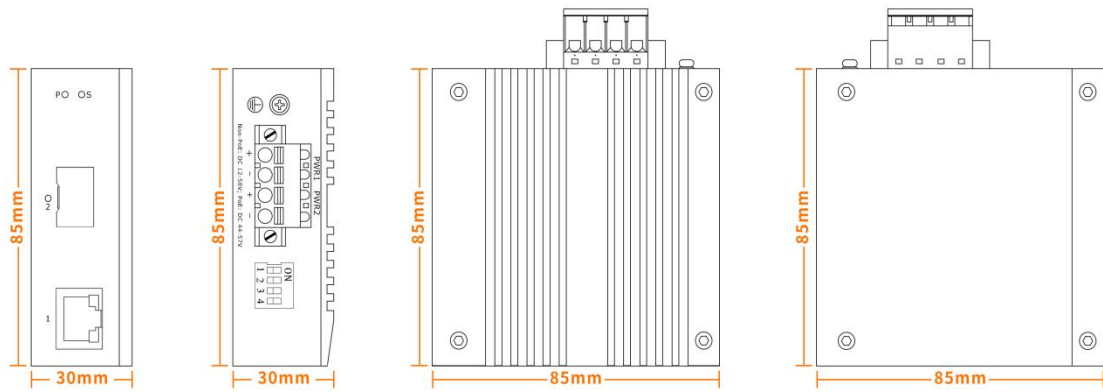
		On: total PoE usage≥rated 90%	
1 (Copper port)	Green indicators	Yellow indicators	
		Off: ports link down	Off: PoE not working
	On: ports link up	On: PoE working	
	Blinking: data on TX/RX		
1 (Fiber port) Green	Off: ports link down		
	On: ports link up		
	Blinking: data on TX/RX		
Power parameters			
Input voltage	44-57VDC, redundant power input		
Input current	0.75A Max		
Total power consumption	Full loading without PoE ≤ 2W PoE power budget ≤ 30W		
Connector	Removable 4-pin terminal block		
Reverse polarity protection	Support		
Over-voltage protection	Support		
Switching features			
Switching capacity	2G		
Packet forwarding rate	2.97 Mpps		
MAC address table	8K		
VLAN	4K		
Buffer	1M		
Forwarding delay	<5us		
Jumbo Frame	Support 10Kbytes		
MDX/MIDX	Support		
Watchdog	Support		
Network Topology			
Star topology	Support		
Bus topology	Support		



Tree Topology	Support
Mechanical structure	
Case protection	IP40
Installation method	Din-rail
Dimension(W*D*H)mm	30*85*85mm
Weight	0.2 kg
Operating environment	
Operating temperature	-40℃~+75℃
Storage/transportation temperature	-40℃~+85℃
Relative humidity	5%~95% (non-condensing)
Industrial Standard	Surge protection of power: IEC 61000-4-5 Level 3 (4KV/2KV) (8/20us)
	Surge protection of Ethernet ports: IEC 61000-4-5 Level 3 (4KV/2KV) (10/700us)
	DIP: IEC 61000-4-11 Level 3 (10V)
	ESD: IEC 61000-4-2 Level 4 (8K/15K)
	Shock: IEC 60068-2-27
	Free fall: IEC 60068-2-32
Vibration: IEC 60068-2-6	
Warranty	3 years

Structure diagram

SFP model



SC/ST/FC model

